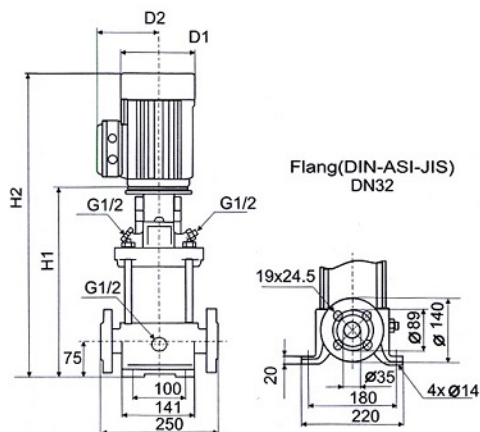


## Vertical Multistage Centrifugal in - line Pump

### Dimensions and weights - PCR 1



### General Specification

Output size:	25 to 125 mm
Capacity:	0.7-180 m <sup>3</sup> /hr
Head:	275 m
Operation Temperature:	-15 to +120
Main Connection (1-[v/Hz]):	220-240 V, 50 Hz
Main Connection (3-[v/Hz]):	380-415 V, 50 Hz
Insulation Class:	F
Enclosure Class:	IP 55
Ambient Temperature:	50°C

Pump type	Motor		Pump Flanges (mm)	PCR				Net weight (kg)
	P [KW]	rpm		Dimension(mm)				
				DIN flange		D1	D2	DIN flange
PCR 1-2	0.37	2900	32	H1	H2			141
PCR 1-3	0.37			279	474			
PCR 1-4	0.37			279	474			
PCR 1-5	0.37			297	492			
PCR 1-6	0.37			333	528			
PCR 1-7	0.37			315	510			
PCR 1-8	0.55			351	546			
PCR 1-9	0.55			369	564			
PCR 1-10	0.55			387	582			
PCR 1-11	0.55			405	600			
PCR 1-12	0.75			423	618			
PCR 1-13	0.75			447	682			
PCR 1-15	0.75			465	700			
PCR 1-17	1.1			501	736			
PCR 1-19	1.1			537	772			
PCR 1-21	1.1			573	808			
PCR 1-23	1.1			609	844			
PCR 1-25	1.5			645	880			
PCR 1-27	1.5			697	988			
PCR 1-30	1.5			733	1024			
PCR 1-33	2.2	787	1078					
PCR 1-36	2.2	841	1132					
		895	1186					